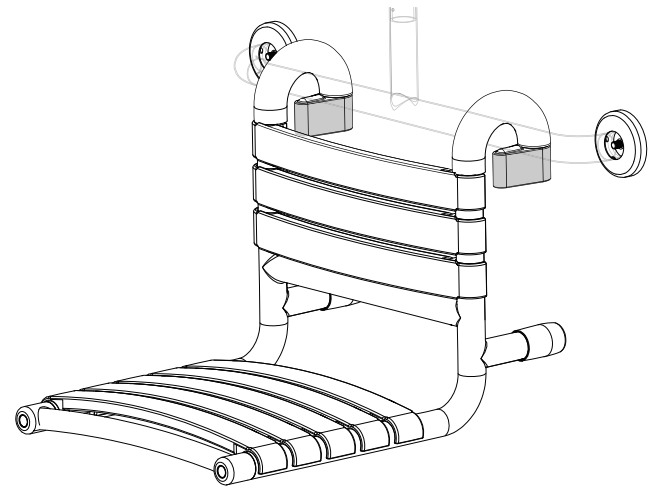
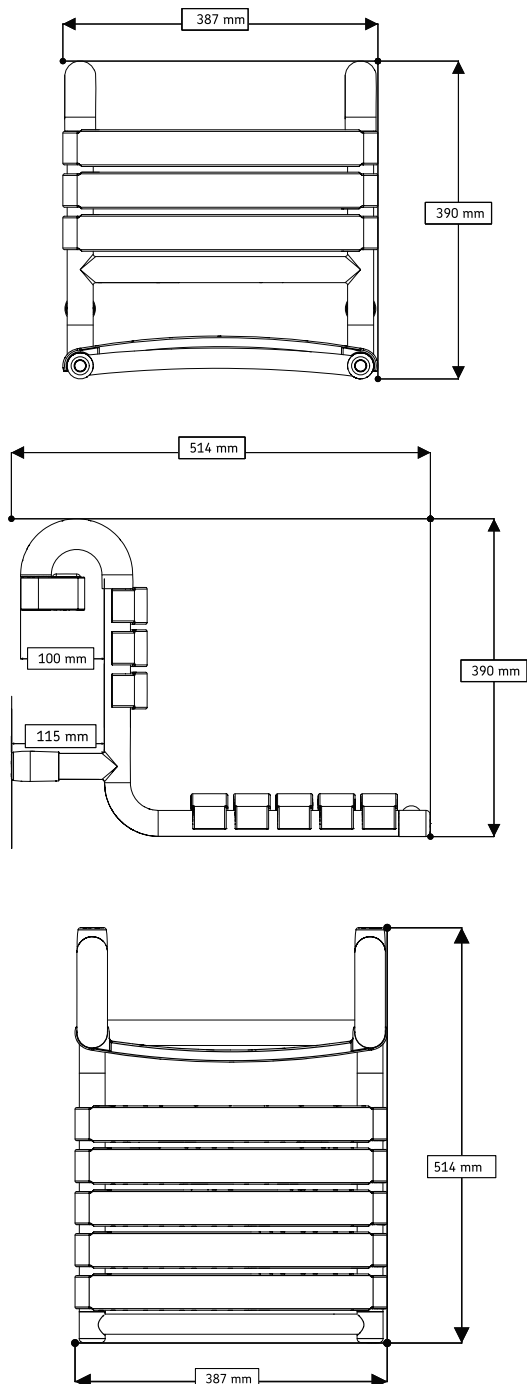


Hanging Bama Shower Seat

Installation Instructions & User Care Instructions

Seat Dimensions



* see conditions, exclusions apply

Models:
White to RAL 9003 -
Internal Building use only



IMPORTANT SAFETY NOTICE

Never exceed the weight capacity of the grab rail which has to be securely mounted and have a load rating over 150KG 23ST 330LB.

See separated grab rail instructions for further details.



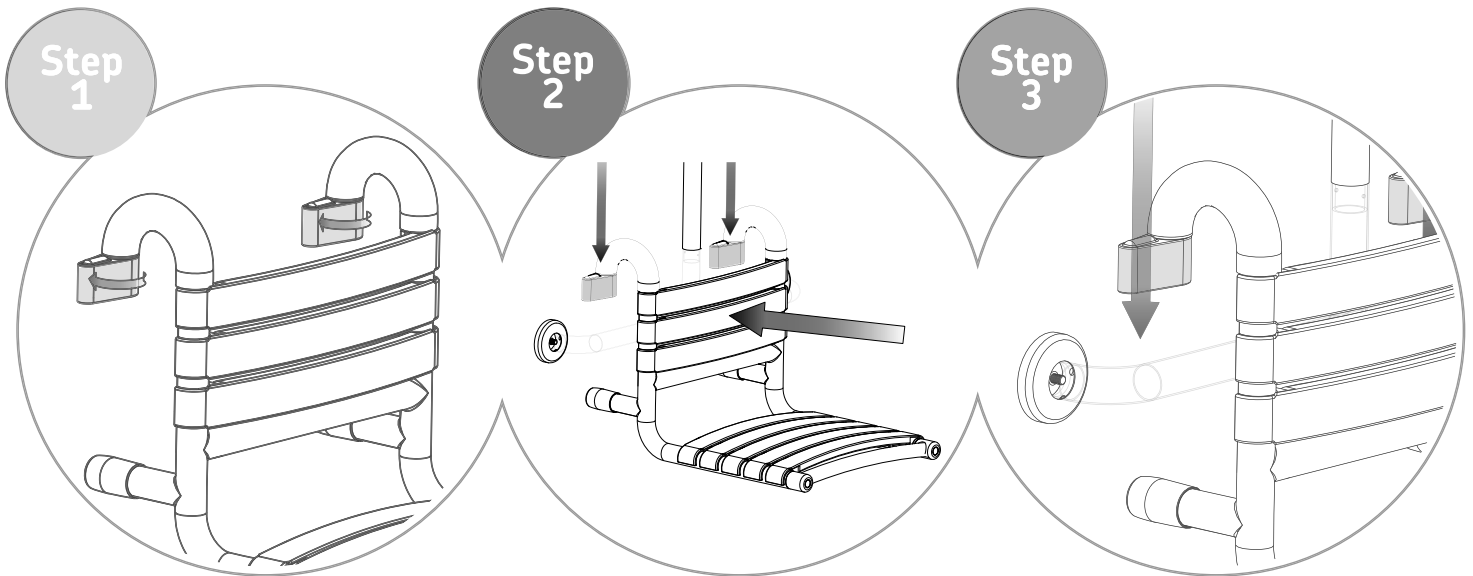
Failure to install this AKW product in accordance with supplied instructions or the making of unauthorised modifications will invalidate any warranty and will affect product safety.

Installer- please read all instructions carefully before installation and leave these instructions with the end user for future reference

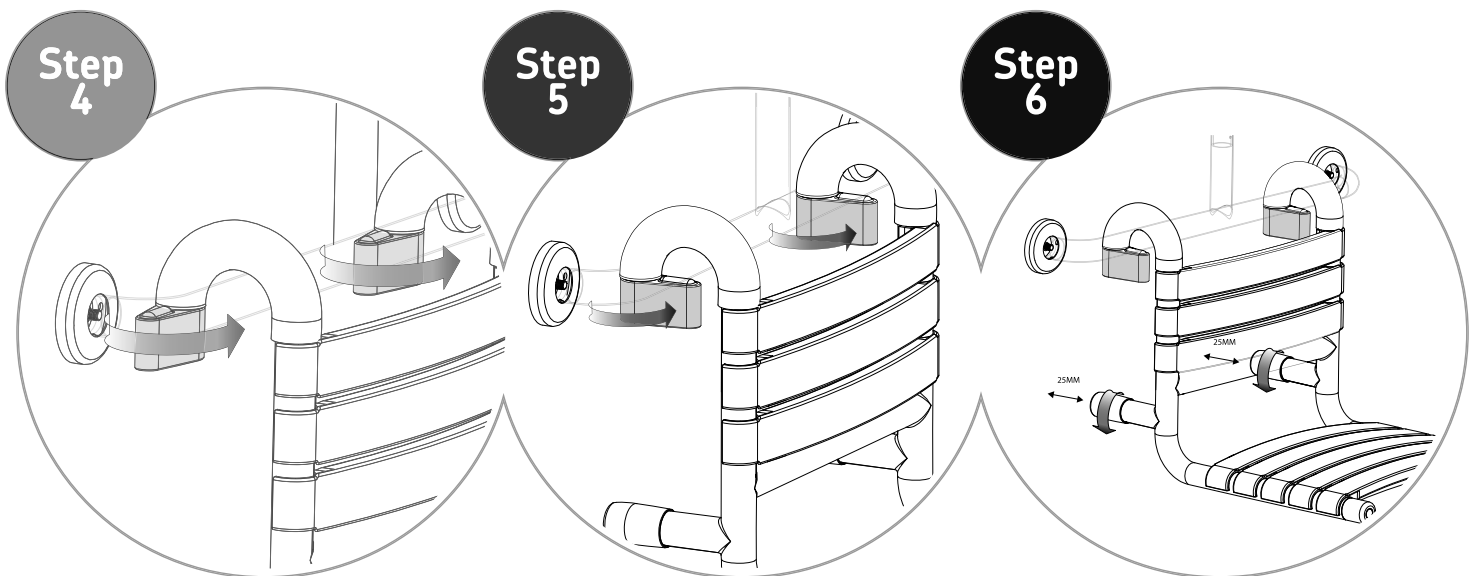
Installation Instructions



THIS SEAT MUST BE ATTACHED TO A VERTICAL SURFACE AND ONLY BE USED WITH GRAB RAILS WHICH ARE SECURELY MOUNTED AND HAVE A LOAD RATING OVER 150KG 23st 330lb. THE MAXIMUM DIAMETER OF THE RAIL THAT THIS SEAT CAN BE USED WITH IS 35MM. FOOT ADJUSTMENT UPTO 25MM. THIS SEAT IS UNSUITABLE FOR SIDE TRANSFER.



(1) Ensure the grab rail is level and securely installed before attaching the seat. (2) Rotate the locking clamps to the open position. (3) Lower the seat up over the grab rail. (4&5) Rotate the locking clamps to the closed position and ensure the seat is clamped onto the grab rail. (6) Adjust the frame feet upto 25mm ensure the seat is level and flush with the wall surface. Check the integrity of seat and grab rail before sitting on the seat. **CAUTION! DO NOT STAND, JUMP OR BOUNCE ON THE SEAT; DOING THIS MAY CAUSE SERIOUS INJURY.** Failure to install this AKW Medicare product in accordance with supplied instructions or the making of unauthorised modifications will invalidate any warranty and will affect product safety.



AKW Seats are recommended for internal applications. These may be installed in other locations but optimum product life may not be achieved.

User Care Instructions and Specifications

The Shower Seat must only be used for the task it is intended to perform. Do not stand on it or misuse it. This may have serious detrimental effects on its performance and safety. This would also affect the weight capacity and invalidate the warranty. The Shower Seat should be checked as part of a planned maintenance programme. Children and other users may require supervision when using this product. Be aware of possible finger traps or pinch hazards.

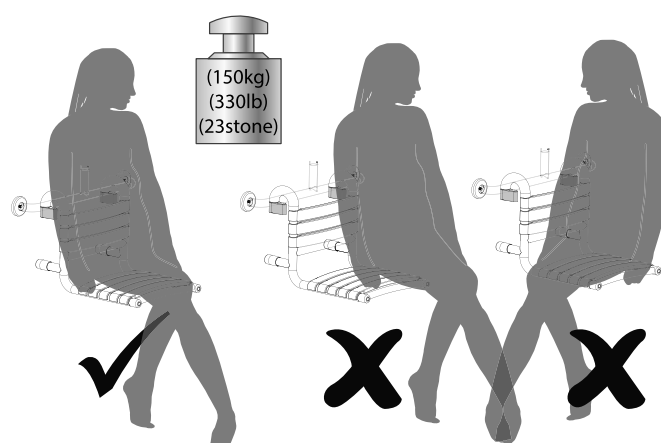
Keeping your AKW Shower Seat Clean

This product should be cleaned periodically using normal domestic bathroom cleaning materials. Do not use abrasive cloths, products, strong or concentrated acidic or alkaline cleaning materials as these may discolour or otherwise damage the product and will invalidate any warranty. It is important to clean areas such as seals and moving parts clear from build up of grime and water deposits to maintain good working order. After cleaning always flush down with water then wipe thoroughly with a damp soft cloth to remove any cleaning material residues before drying off with a towel to prevent new water spots from forming. Where disinfecting is necessary, standard established procedures for disinfecting equipment should be used with due care and attention taken of the warnings concerning possible effects of aggressive chemicals on plastics or other surfaces. The use of strong or concentrated acidic, alkaline, chlorine or other cleaning materials will invalidate any warranty as this may discolour or otherwise damage the product.

Packaging

This Shower Seat is supplied in a plastic bag to keep the product protected until installation. It is packed in a corrugated box and both are suitable for recycling operations. This should be disposed of in accordance with local recycling regulations.

Never exceed the weight capacity of the grab rail. Ensure the load rating for the grab rail is over 150Kg 330lb or 23st. This seat is unsuitable for side transfer.



Shower Seat Specification / Data Sheet

This product is designed for a single location installation. Maximum weight capacities* :

150kg, 330lb or 23 stone

* Weight Capacity refers to this seat only.

Fixings and retention in the mounting surface are the responsibility of the installer.

Standard operating temperature range : +5°C to +35°C.


Materials of Construction:


Seat Frame/Leg: SS201
Plastics: ABS/Nylon


CE This product conforms to the essential requirements of the Medical Devices Directive 93/42/EEC and representative samples have been evaluated under for a class 1 non-invasive transient use device, using the following harmonized European standards in the confirming assessment: BS EN 12182:2012, BS EN 12727:2000.


For use solely as a shower seat (assistive, Class 1 device). Declaration issued under the sole responsibility of the manufacturer.


IMPORTANT SAFETY INFORMATION


ALWAYS  Read these installation instructions carefully before installing this product and leave with the end user for future reference.

ALWAYS  Have the seats installed by a trained and experienced installer.

ALWAYS  Make the seat height suitable for the user. Attach this Seat to a suitable grabrail which is securely fixed to the wall surface using the correct fixings. Ensure countersunk screw fixings are not used on the grab rail installation as this will invalidate any warranty and will affect product safety.

NEVER  **Exceed the weight capacity of 23stone (150Kg) (330lb)** Can only be used grab rails that are securely mounted with a load rating over 150kg.

CAUTION  Never stand on the shower seat as this may reduce the strength of the shower seat and will invalidate any warranty or weight capacity stated.

BEWARE  A pinch hazard may be present around the region of the wall and grab rail.

Technical Help line
01905 560219

Orderline
01905 823299

General Enquiries
01905 823298

Fax
01905 823297

Website
www.akw-ltd.co.uk

Quotes & orders email
orders@akw-ltd.co.uk

Enquiries email
sales@akw-ltd.co.uk
technicalenquiries@akw-ltd.co.uk

Post
AKW, Pointon Way,
Hampton Lovett,
Droitwich Spa,
WR9 0LR



For the latest AKW product news scan this QR code with your device.

*Guarantee for life Conditions - Not covered by any warranty



Damage or defects that result from incorrect installation, improper use, accidental damage or lack of maintenance including the build up of grime, dirt or lime-scale and water-borne debris.

Damage resulting from inappropriate cleaning or water ingress which could result in colour fading. Damage or defects that result from repairs or modifications.

The guarantee applies only to manufacturing or material defects and does not apply to normal wear and tear, inappropriate use or accidental damage.

What to do if something goes wrong?

In the unlikely event that you should encounter a problem with this product, please contact your local installer and if this does not resolve the issue then contact AKW technical team who will provide further advice and if necessary arrange for a maintenance engineers to visit and report any issues.

As part of our quality and training programme calls may be monitored or recorded. None of the foregoing affects your statutory rights.

These instructions are provided to advise the minimum standards of installation and recommends what is the best practice for the installation. Due to the very wide variability of possible installation conditions AKW cannot provide all circumstances for the installation. AKW cannot accept any liability in connection with this information or its use. This information is provided on the condition that the person receiving it shall make their own tests to determine the suitability for their particular purpose. Failure to install this AKW product in accordance with supplied instructions or the making of unauthorised modifications will invalidate any warranty and may affect product safety. None of the foregoing affects your statutory rights.